

CONFIGURATIONS

Model	Box Type	Temperature Class	Mode	Led Status	Alarm config.
-------	----------	-------------------	------	------------	---------------

TMP2

- J** = Atex 1 way 1/2" connection box
- T** = Atex 2 ways T 1/2" connection box
- JO** = Atex 1 way connection box with glass
- TO** = Atex 2 ways T connection box with glass
- D** = Aluminium housing IP65
- P** = Only probe without housing

- A1** = Static alarm 54-65°C
- A2** = Static alarm 54-70°C
- B** = Static alarm 69-85°C
- C** = Static alarm 84-100°C
- D** = Static alarm 99-115°C
- R** = Static & Rate of Rise
- S** = Static

- M** = Manual Reset
- A** = Auto Reset
- 1** = OFF in normal condition
ON in Alarm condition
- 2** = PULSE in normal condition
OFF in Fault condition
ON in Alarm condition

Example of **J** or **T** box

Example of **JO** or **TO** box

Example of **D** box

Example of **P** (Probe)



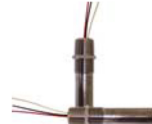
Not suitable for Fire Detection



Suitable for Fire Detection



Suitable for Fire Detection



Not suitable for Fire Detection

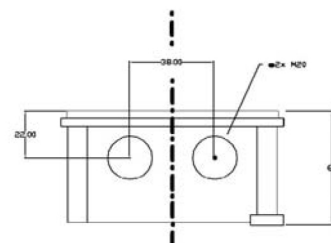
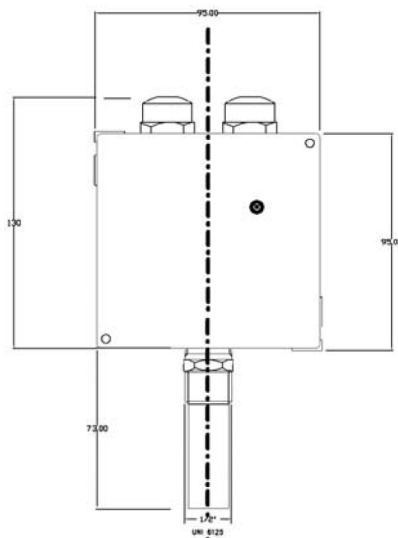
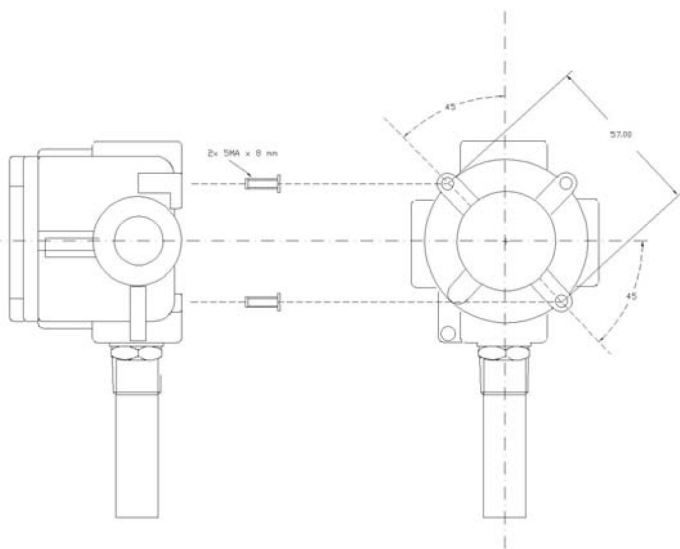
Example of product code creation:

Heat detector ATEX certified T-box with glass, Temp. class C with alarm intervention at 90°C static with pulse LED and Auto Reset alarm:

Code: **TMP2-TO-C90S2A**

Heat detector Dust box, Temp. class A2 with alarm intervention at 57°C Rate of Rise with OFF LED in normal condition and Auto Reset alarm:

Code: **TMP2-D-A257R1A**



Distributed by :
Connect2Safety
 Vlamingstraat 4
 8560 Wevelgem
www.connect2safety.be

Copyright OGGIONI sas

OGGIONI s.a.s. reserves the right to change published specifications and designs without prior notice.

