

Compliance Made Easy

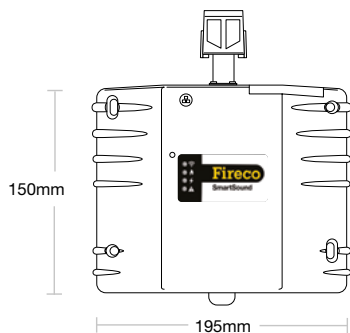
# Dorgard SmartSound

Dorgard SmartSound is a wireless solution for legally holding open fire doors, closing them when a fire alarm sounds.

SmartSound technology means the doors units are not triggered by background noise.



## Product Dimensions



Overall Height	205mm
Casing Height	150mm
Width	195mm
Depth	45mm
Weight	700g

## Specification Overview

Power	2 x LR14 C-size batteries (included)
Expected battery life	3 years
Colour	Black, white
Activation	SmartSound listening technology
Casing	ABS Plastic
Hold open position	Can hold the door at any angle

Contact our team for more information

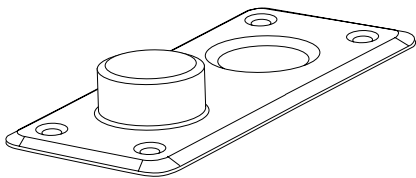
Call: 01273 320650  
 Email: [contact@fireco.uk](mailto:contact@fireco.uk)  
 Web: [www.fireco.uk](http://www.fireco.uk)

Maximum door size	Power size 7 (maximum of 160 kg and 1600 mm width)
Audible warning	Warns of door closing on fire or fault
Fire rating	Suitable for up to 60-minute fire doors
Compliant to	EN1155, EN1634, EMC Directive, Radio Equipment Directive, CE Marked
Suitable for	Standard (category B) installations under BS7273-4 2015
Installation position	Bottom of door
Part Number	<b>728-7133</b> Dorgard SmartSound Black <b>943-3945</b> Dorgard SmartSound White

## Additional Extras

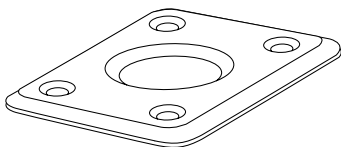
- Supplied with every Dorgard SmartSound
- Designed for use in areas with slippery floors

### Bump Stop Floor Plate



Weight	62.2 g
Length	150 mm
Width	77.5 mm
Bump Stop Height	27 mm
Height	3.5 mm
Part Number	DG2610

### Flush Floor Plate



Weight	19.4 g
Length	77.5 mm
Width	63.5mm
Height	3.5 mm
Part Number	DG2612